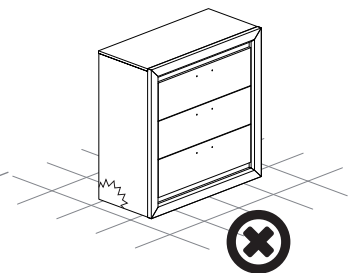
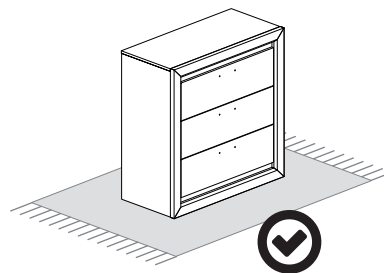
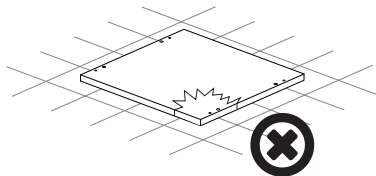
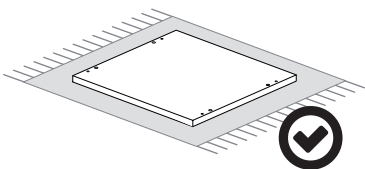
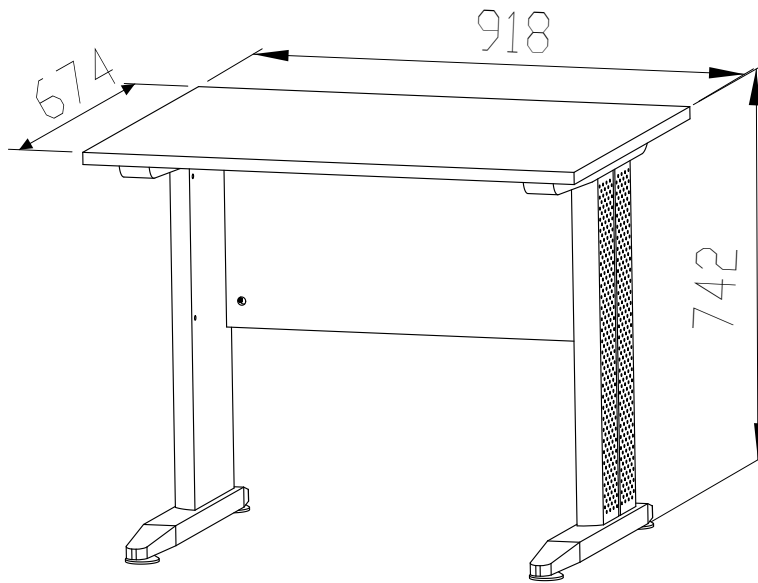
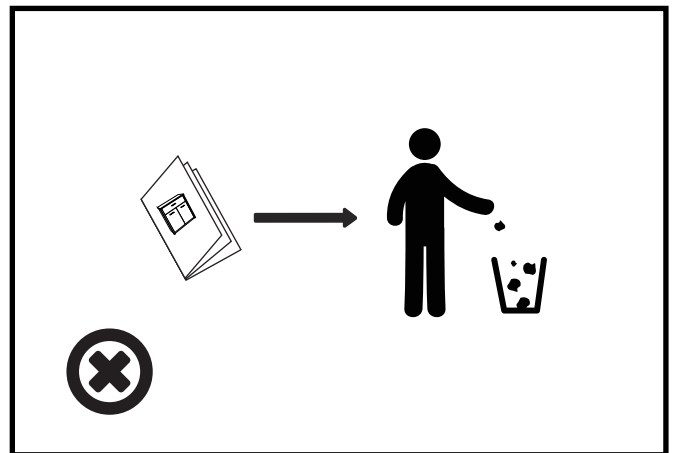
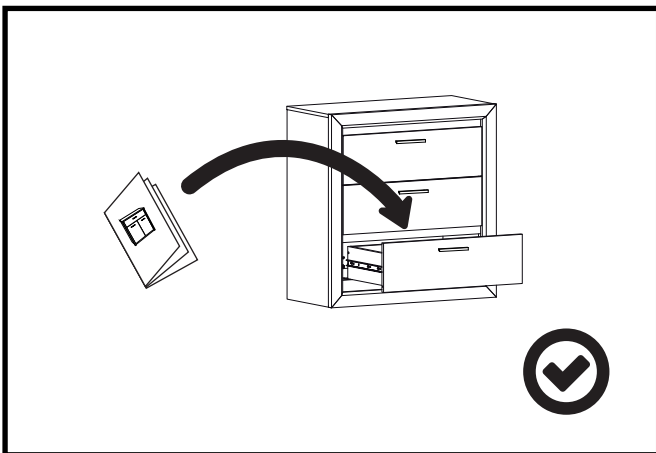
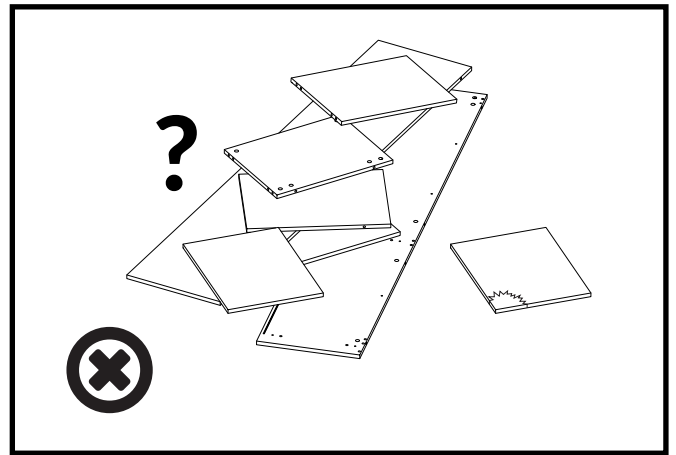
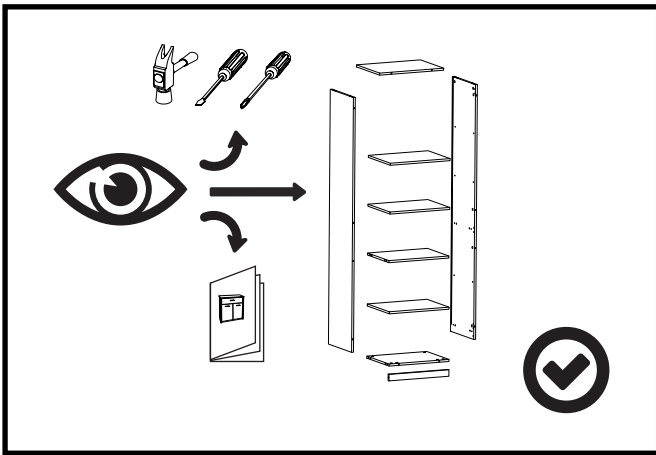
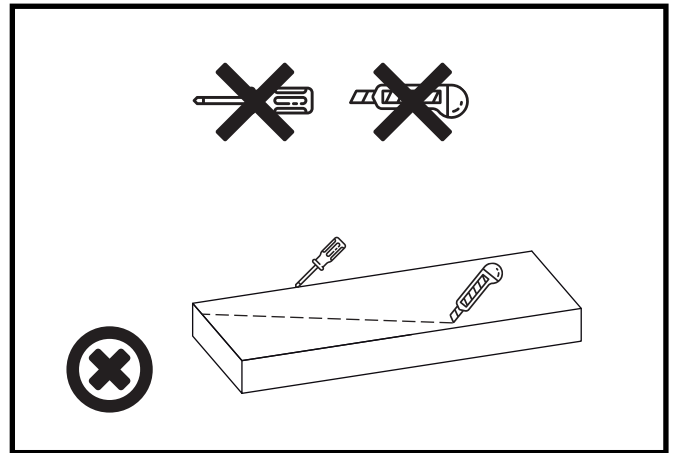
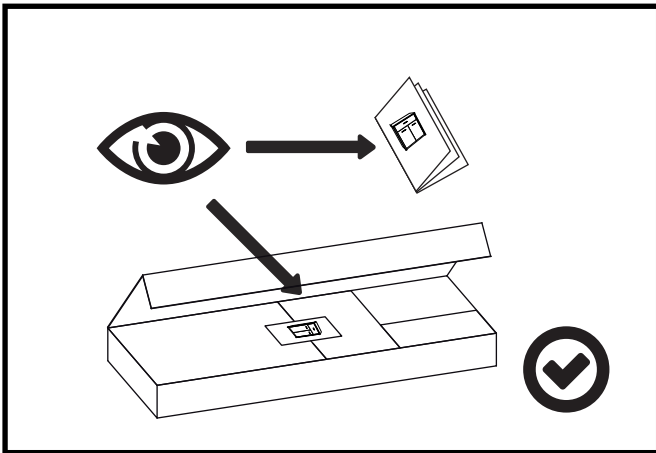
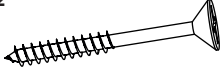
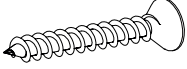


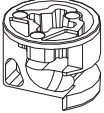



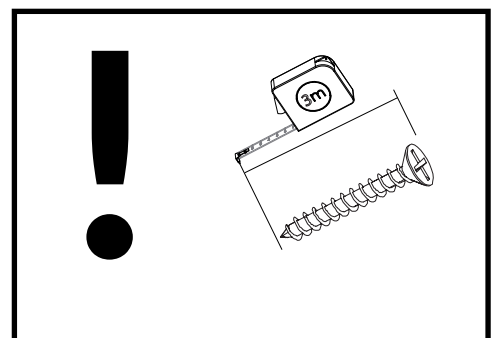
OPTIMAL 16



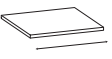
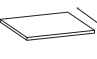
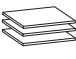


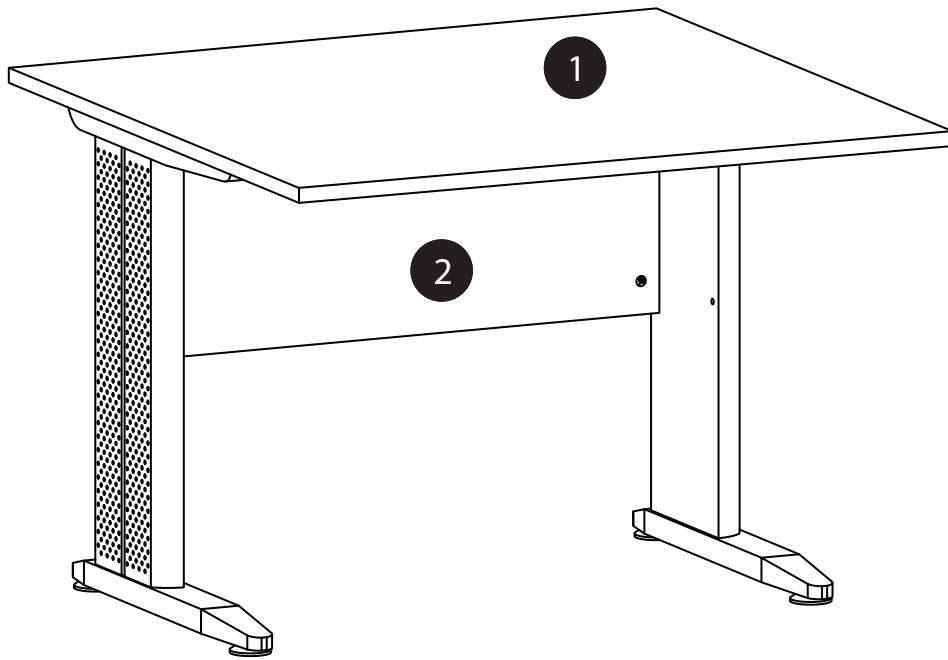
OPTIMAL 16

<p>WT33 x 2 5x55</p> 	<p>WT32 x 2 5x40</p> 	<p>x 1</p> 
<p>ZM6 x 4</p> 	<p>B2 x 4</p> 	<p>ZS2 x 4</p> 

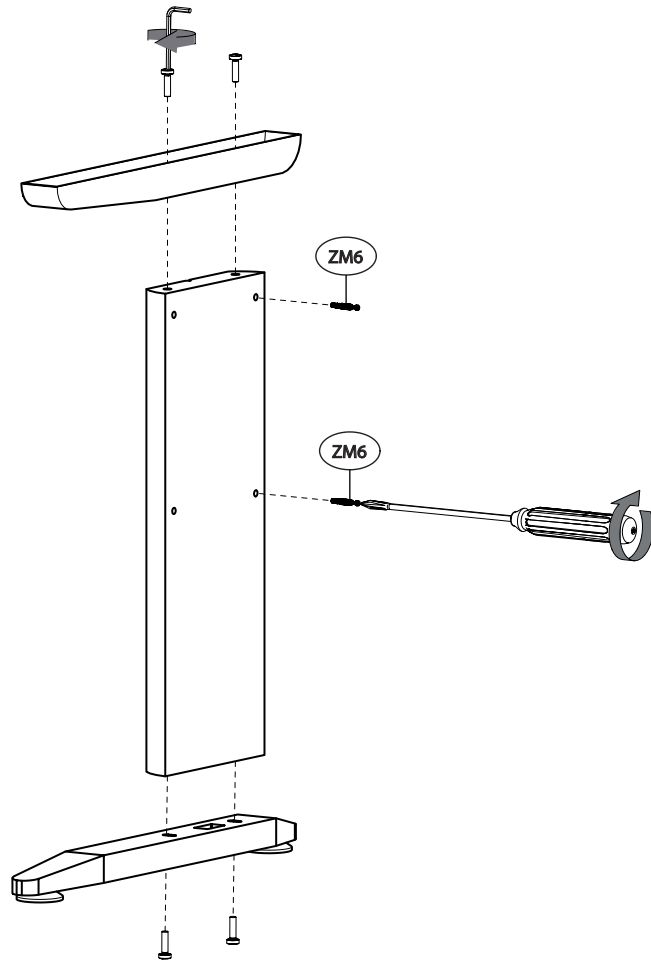


OPTIMAL 16

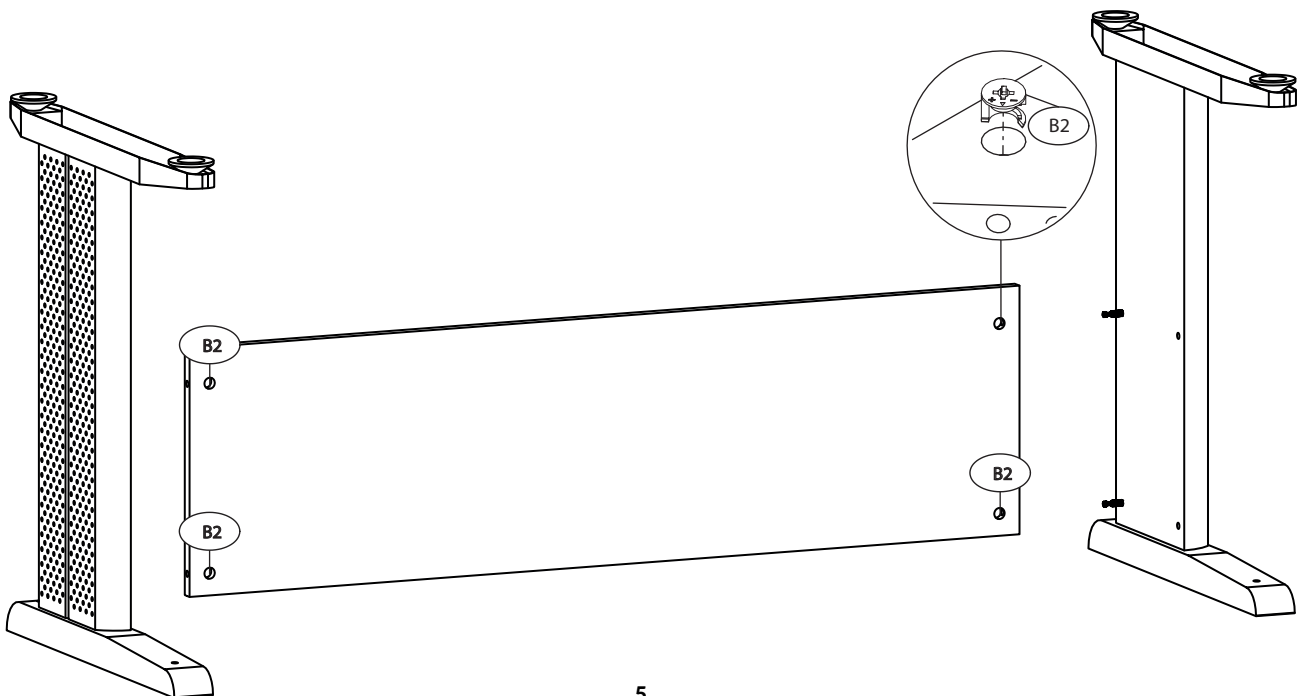
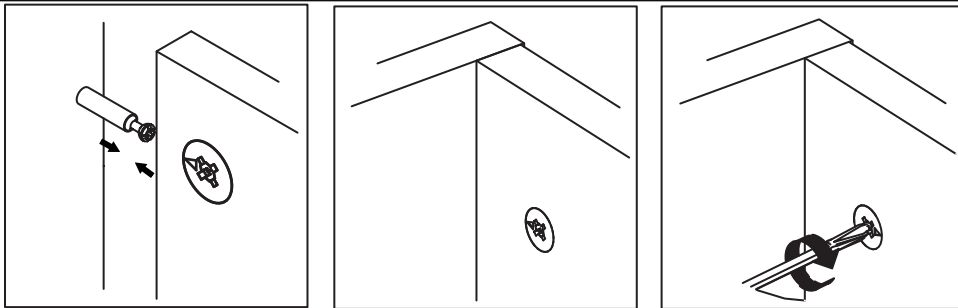
			
1	918	674	1
2	738	334	1



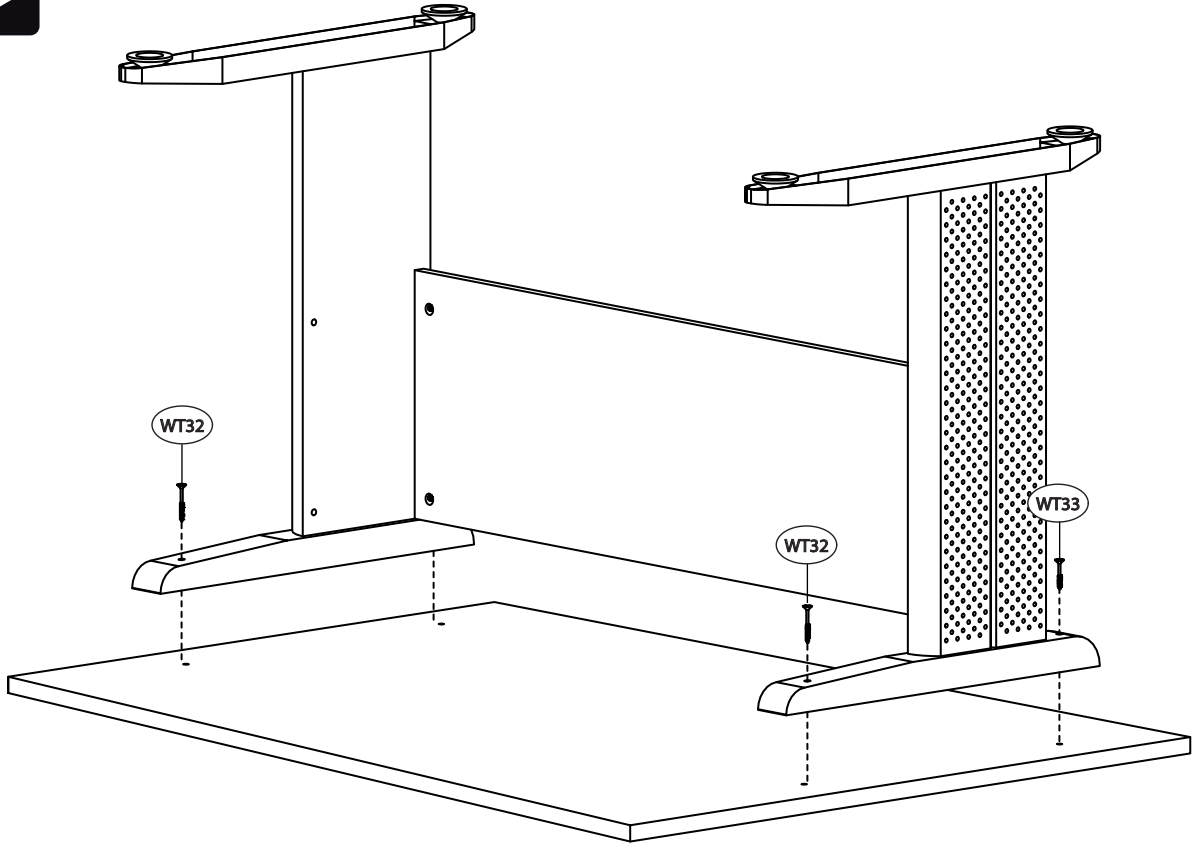
A ▶



B ▶



C ▶



D ▶

